

2007 Tundra – Tire and Wheel Information

Wheel Lug Nut Torque Specifications

Wheel Type	Wheel Lug Nut Torque
All Steel & Styled Steel Wheels	209 N-m, 21.3 kgf-m, 154 ft-lbf
Aluminum Alloy Wheels	131 N-m, 13.4 kgf-m, 97 ft-lbf

Other Specifications

Wheel Studs / Lug Nut	14mm x 1.5mm thread
Wheel Center Hub Diameter	110mm
Lug Nut Socket	22mm

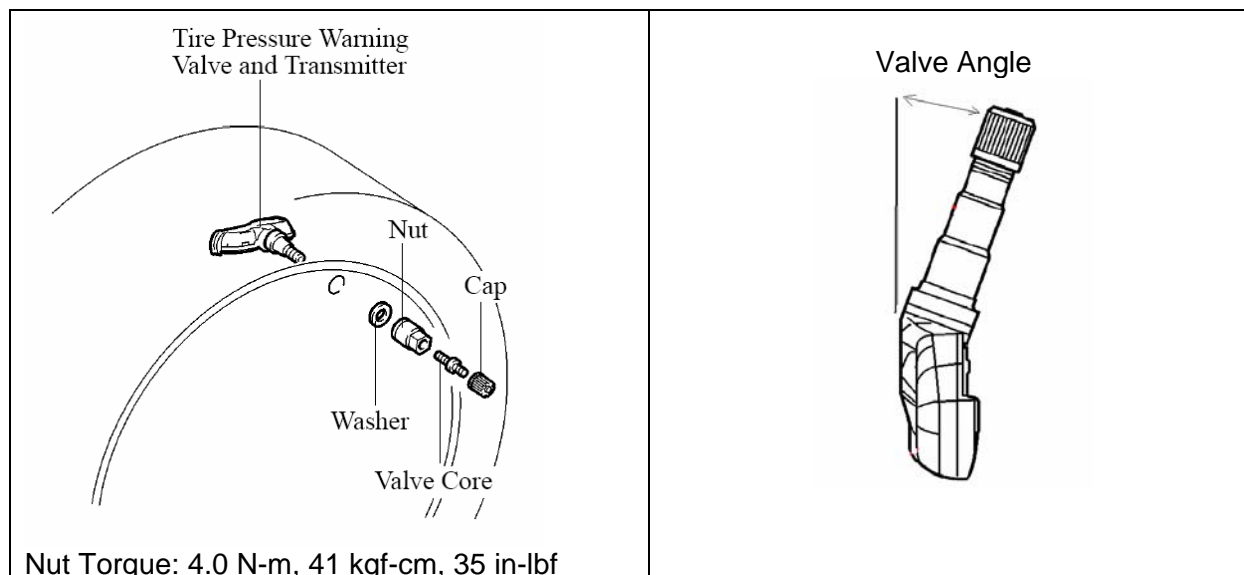
Tire Inflation

Tire size, cold tire inflation pressure and wheel size:

Tire size	Cold tire inflation pressure kPa (kgf/cm ² or bar, psi)		Temporary spare	Wheel size
	Front	Rear		
P255/70R18 112T	210 (2.1, 30)	230 (2.3, 33)	230 (2.3, 33)	18 × 8J
P275/65R18 114T	210 (2.1, 30)	230 (2.3, 33)	230 (2.3, 33)	18 × 8J
P275/55R20 111H	210 (2.1, 30)	230 (2.3, 33)	230 (2.3, 33)	20 × 8J



Tire Pressure Warning System



Part Name	Part Number	Description	Application
Valve Sub-Assy, Tire Pressure Monitor	42607-0C040	40° valve angle	Styled Steel Wheel
	42607-0C030	20° valve angle	Alloy and plain steel wheels



2007 Tundra – Tire and Wheel Information

Wheels

Tire Size	P255/70 R18 112T M+S	
Wheel Size	18 x 8J	18 x 8J
Material	Steel	Styled Steel
Pitch Circle Diameter mm	150	150
Off Set mm	60	60
Wheel Design		

Tire Size	P275/65 R18 114T	
Wheel Size	18 x 8J	18 x 8J
Material	Aluminum	Machined Aluminum
Pitch Circle Diameter mm	150	150
Off Set mm	60	60
Wheel Design		

Tire Size	P275/55 R20 111H
Wheel Size	20 x 8J
Material	Aluminum
Pitch Circle Diameter mm	150
Off Set mm	60
Wheel Design	